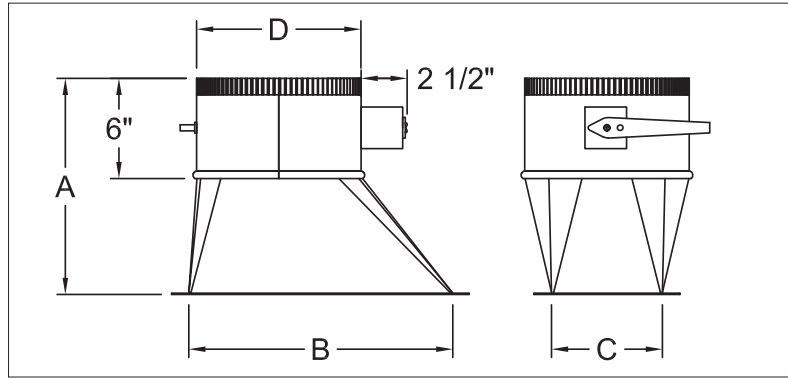
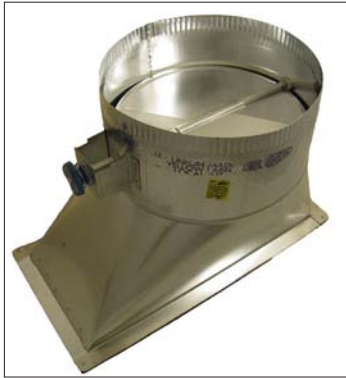


HET

with Elgen Super Standoff and 3/8" Square Rod



Product Data Sheet



Description

Elgen's HET (High Efficiency Take Off) with heavy duty standoff is used for low & medium pressure applications.
Elgen HET (High Efficiency Take Off) with heavy duty standoff can be used for high pressure application (up to 10" W.G.) as a low-leakage fitting due to its welded construction.

Standard Construction

Collar - formed from 24 GA ASTM A-653 G60 material
Body - formed from 26 GA ASTM A-653 G60 material
1/8" x 1" Polyethylene "High Density" Gasket
20 GA Heavy Duty Damper Blade for 10" and larger
22 GA Heavy Duty Damper Blade for 6"- 8"
Heavy-duty standoff
3/8" aluminum square rod
Zero-leak snap-in bushing

D	B X C	A
4" Round	10"x 5"	11.75"
5" Round	10"x 5"	11.75"
6" Round	12"x 6"	11.75"
7" Round	12"x 6"	11.75"
8" Round	12"x 6"	11.75"
9" Round	15"x 6"	12.75"
10" Round	16"x 6.75"	12.75"
12" Round	18"x 8.5"	12.75"
14" Round	20"x 9.5"	12.75"
16" Round	22"x 14"	13.75"
18" Round	22"x 16"	13.75"
20" Round	24"x 18"	14"

B and C dimensions are "I.D." hole size dimensions
All dimensions +/- 0.25"

Features

Welded Seams For Added Strength
Welded Seams Provide Low Leakage
Many Damper Hardware Options
Pressure Rating - Designed Per SMACNA 3rd Edition 2005 Section 4.8 4-6 Brand Connections
Bead and Crimp Come Standard
MADE IN USA with USA Steel
Union Made Yellow Label

Optional Construction

Insulation Guard
24 GA Galvanized
G90 Galvanized
Stainless Steel 304
Stainless Steel 316
Aluminum
PCD
Galvanneal (Paint Grip)
Agion (Antimicrobial Coating)

Packaging

Size	Skid Qty	Size	Skid Qty
4"	MTO	10"	72
5"	MTO	12"	54
6"	140	14"	48
7"	MTO	16"	30
8"	140	18"	MTO
9"	MTO	20"	MTO

Guarantee

All Elgen products are guaranteed by Elgen Manufacturing against defective material.

Elgen Manufacturing

10 Railroad Ave, Closter NJ 07624
Tel: 800.503.9805 :: Fax: 201.964.9030
info@elgenmfg.com :: www.elgenmfg.com