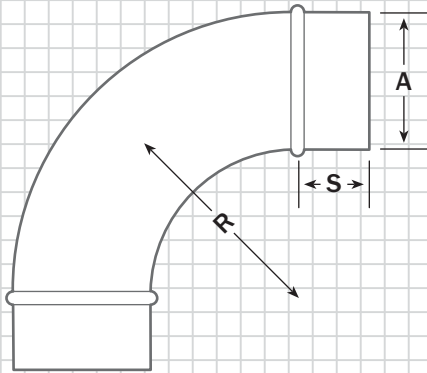
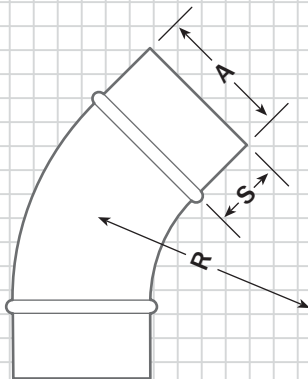


90° Die Stamped Flangeless Elbow
Galvanized (DSE90)
Galvaneal (NDSE90)



45° Die Stamped Flangeless Elbow
Galvanized (DSE45)
Galvaneal (NDSE45)



Key

A = Diameter
 R = 1-1/2 A (centerline radius)
 S = 2"

Materials Available

- Galvanized (3" to 4") 24 gauge
- Galvanized (5" to 12") 22 gauge
- Galvaneal (paint grip) (5" to 12") 22 gauge

Welding Process

Flangeless elbows are continuously stitch welded on the throat and heel from end to end (past the bead).

Dimensions

Size	(A)	90° (R)	Wt. Per 90° Elbow (DSE90)	Wt. Per 90° Elbow (NDSE90)
3"	2-7/8"	4.5"	0.8#	N/A
4"	3-7/8"	6.0"	1.4#	N/A
5"	4-7/8"	7.5"	1.8#	2.5#
6"	5-7/8"	9.0"	2.2#	3.4#
7"	6-7/8"	10.5"	3.5#	4.4#
8"	7-7/8"	12.0"	4.7#	5.4#
9"	8-7/8"	13.5"	6.1#	5.9#
10"	9-7/8"	15.0"	7.6#	6.4#
12"	11-7/8"	18.0"	10.2#	9.0#
Size	(A)	45° (R)	Wt. Per 45° Elbow (DSE45)	Wt. Per 45° Elbow (NDSE45)
3"	2-7/8"	4.5"	0.6#	N/A
4"	3-7/8"	6.0"	0.8#	N/A
5"	4-7/8"	7.5"	1.0#	1.5#
6"	5-7/8"	9.0"	1.5#	2.0#
7"	6-7/8"	10.5"	1.8#	2.6#
8"	7-7/8"	12.0"	3.0#	3.2#
9"	8-7/8"	13.5"	3.5#	4.0#
10"	9-7/8"	15.0"	4.2#	4.8#
12"	11-7/8"	18.0"	6.5#	6.6#