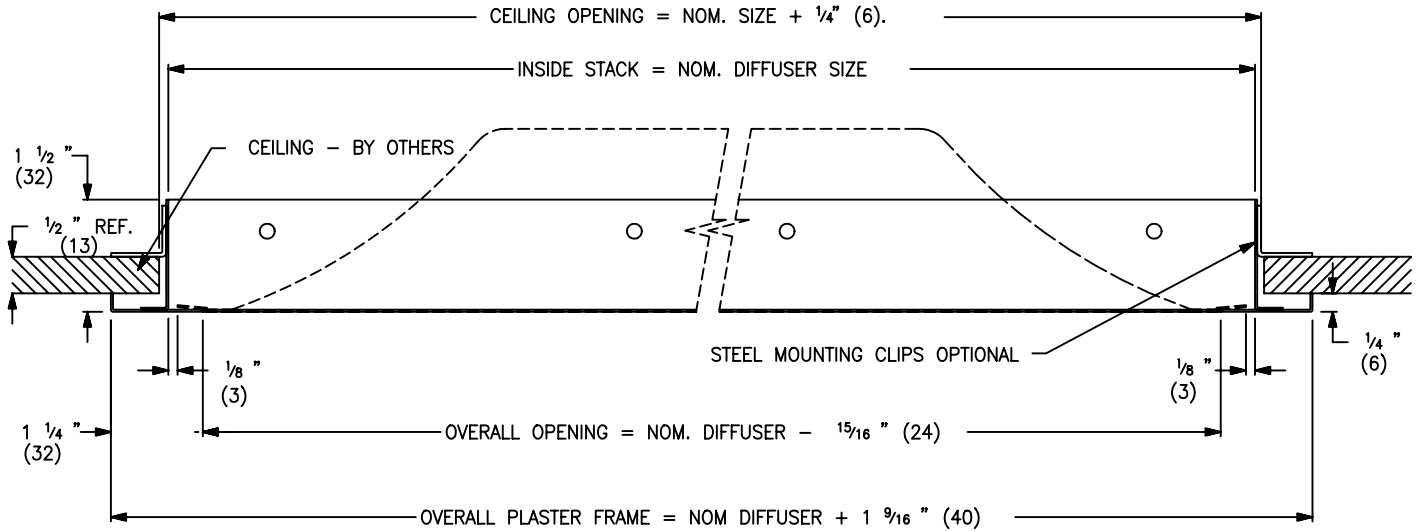
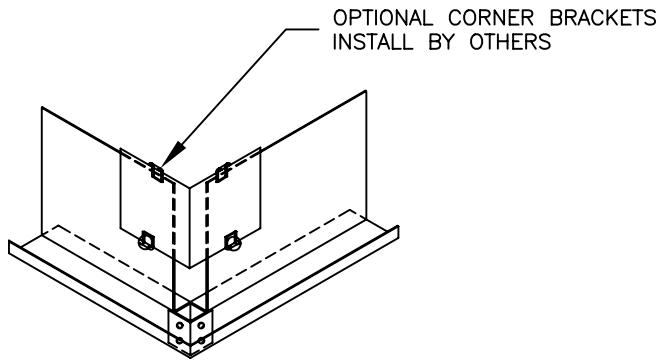


SPF - STEEL PLASTER FRAME



TYPICAL CROSS SECTION OF LAY-IN TYPE DIFFUSER FRAME FOR DRYWALL APPLICATION



CORNER BRACKET INSTRUCTIONS:

BREAK OVER ALL TABS 90 DEGREES
 INSERT TABS INTO HOLES ON SPF
 CRIMP OVER ALL TABS ONTO THE INSIDE OF THE FRAME

MATERIAL:

- HEAVY GAUGE STEEL

FINISH:

- B12 WHITE
 (OPTIONAL FINISHES AVAILABLE)

NOTES:

- NOMINAL SIZES AVAILABLE:
 - 12" X 12
 - 16" X 16"
 - 24" X 12"
 - 20" X 20"
 - 24" X 24"
- FACTORY TOLERANCE - $\pm 1/32"$ ($\pm 1\text{mm}$)

OPTIONS:

- MOUNTING CLIPS
- CORNER BRACKETS

ALL METRIC DIMENSIONS () ARE SOFT CONVERTED. IMPERIAL DIMENSIONS ARE CONVERTED TO METRIC AND ROUNDED TO THE NEAREST MILLIMETER.

PROJECT:		PRICE®	
ENGINEER:			SPF
CUSTOMER:		228211	STEEL LAY-IN TYPE PLASTER FRAME
SUBMITTAL DATE:	SPEC. SYMBOL:	SEPT. 2002	