

# Reflectix

Reflectix® Insulation is Your Shining Solution!

[www.reflectixinc.com](http://www.reflectixinc.com)

## DUCT INSULATION

### R-6.0



#### Features at a Glance:

Heating costs can  
be greatly reduced

Eliminate unnecessary  
heat loss/gain and  
air leakage

Helps to ensure  
consistent temperatures

Reflectix® Insulation consists of two outer layers of aluminum foil that reflect 97% of radiant heat. Each layer of foil is bonded to a tough layer of polyethylene for strength. Two inner layers of insulating bubbles resist conductive heat flow while a center layer of polyethylene gives Reflectix® high reliability and strength.

#### Uses:

Reflectix® Duct Insulation may be installed by wrapping rectangular or round ductwork in HVAC applications.

#### Benefits:

- Non-toxic/non-carcinogenic
- Fiber free
- Energy efficient
- Reduce heating/cooling cost
- Reflects 97% radiant heat
- Environmentally safe
- Costs less to install
- Lightweight and clean

#### Technical Data:

Temperature Range:	250° Operational
Nominal Thickness:	5/16 inch (.312)
Weight:	1.25 oz./sq. ft.
Flame Spread Index (ASTM E 84):	20
Smoke Developed Index (ASTM E 84):	30
Fire Rating:	Class A/Class 1
Linear Shrinkage:	None
Reflectance (IR):	97%
Water Vapor Transmission (ASTM E 96):	0.02
Puncture Resistance:	60 lb./in.
Mold and Mildew:	No Growth
Emittance:	0.3
Tensile Strength:	3.7 N/mm
Pliability:	No Cracking
Hot Surface Performance:	Passed

Note: Not for use in direct contact on surface temperatures that are 180° F or greater.

- Not affected by moisture/humidity
- No nesting characteristics for birds/insects/rodents
- Resists growth of fungi, mold and mildew
- No need for protective garments or respirators when installing
- Permanent and maintenance free
- QS 9000 & ISO 9001 certified manufacturing location



Reflectix® Duct Insulation Products are ETL and Warnock Hersey Listed.

**Reflectix, Inc.**

P.O. Box 108  
Markleville, IN 46056  
(800) 879-3645  
Fax: (765) 533-2327  
[www.reflectixinc.com](http://www.reflectixinc.com)

### Testing and Certification:

All tests on Reflectix® Insulation are performed at either nationally approved independent laboratories or at leading universities. Tests are performed to current American Society of Testing and Materials (ASTM) Standards when a standard exists. For a copy of any of the actual test reports, call 1 (800) 879-3645.

### Product Standards:

**Resistance to fungi or bacteria:** Reflectix® does not promote the growth of fungi or bacteria.

**Specification compliance:** Reflectix® is covered under the Federal Minimum Standards Code for reflective insulation (HH-I-1252B) for all H.U.D. and F.H.A. projects.

**Reflectix® products have been evaluated by the following:**

- ICC ESI Legacy Report No. 94102A
  - Dade County Evaluation Report No. 03-0514.14
  - Los Angeles County Evaluation Report No. RR8099
- See Evaluation Reports listed above for allowable values and/or conditions of use concerning material presented in this document.

### Available Testing/Certifications:

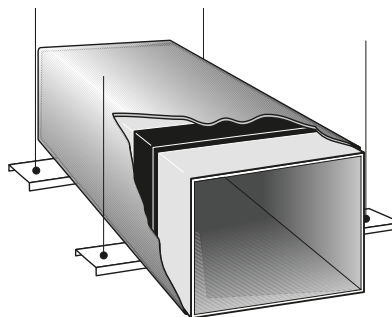
- Thermal Performance ASTM C518
- Thermal Conductivity and Thermal Resistance of Blanket ASTM C518
- Hot Surface Performance ASTM C411
- Heat Transfer of Air-Handling Ducts with Reflectix®
- Flame Spread and Smoke Density ASTM E84
- Adhesive Bleeding ICBO Acceptance Criteria
- Fungus Resistance Mil-Std 810B Method 508
- Pliability Test
- Sound Absorption Test ASTM C423-90a and ASTM E795-83
- Sound Transmission Loss ASTM E90-90 and ASTM E413-87
- Water Vapor Transmission ASTM E96
- Tensile Strength
- Emittance Testing
- NVLAP Approved Lab Test: Adhesive Bleeding per ICBO Evaluation Service Report # LA 73577
- NVLAP Approved Lab Test: Flame Spread Classification/Smoke Density Developed (Taped Joint Detail) Test Report # LA 62595-1
- NVLAP Approved Lab Test: Flame Spread Classification/Smoke Density Developed (Unslit) Test Report # LA62517-2
- NVLAP Approved Lab Test: Flammability of Interior Materials Report # LA72357-2
- NVLAP Approved Lab Test: Fungus Resistance MIL-STD-810B Method 508 Report # LA 73598
- Southern Building Codes Congress International (SBCCI) Report # PST & ESI 9375
- State of California
- State of California Licensed Insulation Manufacturer

- State of Minnesota: Filed with Minnesota Insulation Standards Program
- State of Wisconsin: Wisconsin Material Approval, Safety and Buildings Division Approval # 920088-1
- R&D Services Emittance Testing
- Warnock Hersey Professional Services, LTD: Physical Properties Sheet Width, Length, Pliability, Water Vapor Permanence and Aged Water Vapor Permanence Report # 1/92
- Warnock Hersey Professional Services, LTD: Water Vapor Transmission Test ASTM-E96 (Dessicant Method) Report # 1/91

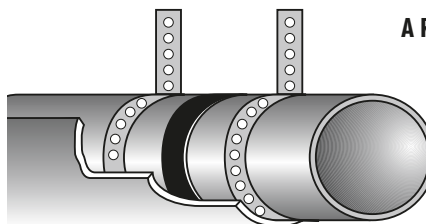
### Installation:

Heating costs can be greatly reduced by wrapping ducts with Reflectix® virtually eliminating unnecessary heat loss and gain through duct walls. Reflectix® helps to ensure consistent temperatures.

- 1) Make sure all sheet metal joints, seams and penetrations are sealed.
- 2) Secure spacers every 24" to 36" around ducting, fastening the spacers with UL181 approved HVAC foil tape. This will provide the necessary air space for the most effective use of Reflectix®. Reflectix® spacer product is recommended.
- 3) Reflectix® material can then be cut to the proper size and wrapped around the duct.
- 4) **Strap Hanger:** Wrap Reflectix® with the seam at the hanger. Tape seam tightly around hanger.  
**Saddle Hanger:** Make sure that there is a spacer below the hanger between the insulation and the duct to prevent the foil from touching the duct.
- 5) Tape all seams with UL181 approved HVAC foil tape.



**Shown to the Left:**  
A Rectangular Duct with a Saddle Hanger.  
(Spacer provides adequate airspace to achieve R-6.)



**Shown to the Left:**  
A Round Duct with a Wire or Strap Hanger.  
(Spacer provides adequate airspace to achieve R-6.)