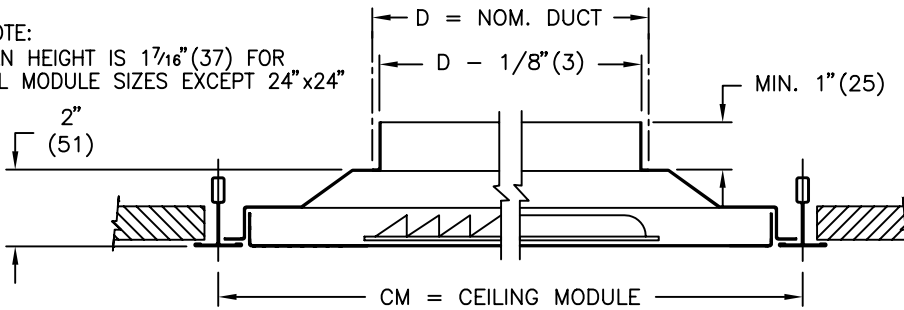


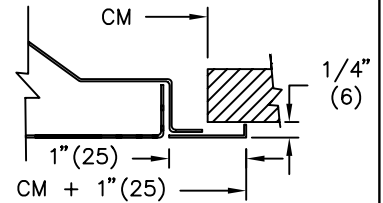
PDF, APDF PERFORATED DIFFUSER

NOTE:
PAN HEIGHT IS 1 7/16" (37) FOR ALL MODULE SIZES EXCEPT 24"x24"

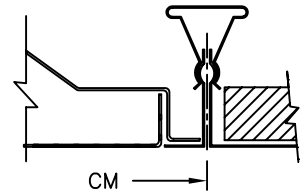


FRAMES:

1 SURFACE MOUNT

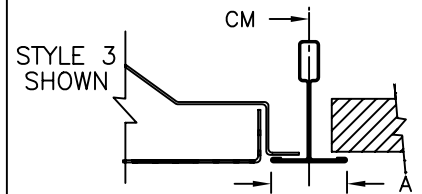


2 SNAP-IN

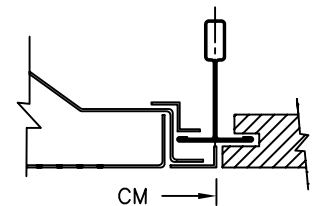


3 T-BAR A = 1" (25)

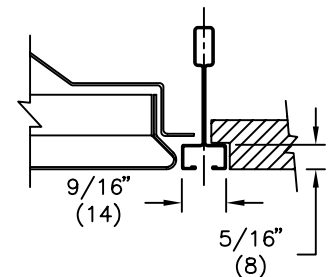
916 T-BAR A = 9/16" (14)



4 SPLINE



17 NARROW MEMBER



CEILING MODULE (CM)	D SQUARE DUCT									D ROUND DUCT							
	6x6 (152x152)	8x8 (203x203)	10x10 (254x254)	12x12 (305x305)	14x14 (356x356)	15x15 (381x381)	6x18 (152x457)	16x16 (400x400)	18x18 (457x457)	6" (152)	8" (203)	10" (254)	12" (305)	14" (356)	15" (381)	16" (400)	18" (457)
12x12	•									•							
24x12	•									•							
16x16	•	•								•	•	•					
20x20	•	•	•							•	•	•	•				
24x24	•	•	•	•	•				•	•	•	•	•	•	•	•	•
48x24	•	•	•	•	•				•	•	•	•	•	•	•	•	•
300x300	•									•							
600x300	•									•							
400x400	•	•								•	•	•					
500x500	•	•	•							•	•	•	•				
600x600	•	•	•	•	•				•	•	•	•	•	•	•	•	•
1200x600	•	•	•	•	•				•	•	•	•	•	•	•	•	•

17 NARROW MEMBER FRAME:
AVAILABLE ONLY IN 12x12, 24x12, 24x24 CEILING MODULES

MATERIAL:

- PDF - STEEL CONSTRUCTION
- APDF - ALUMINUM PERFORATED FACE
OTHER COMPONENTS, STEEL CONSTRUCTION

FINISH:

- B12 WHITE
(OPTIONAL FINISHES AVAILABLE)

NOTE:

- DEFLECTORS ARE FACTORY SUPPLIED IN A 4 WAY PATTERN SETTING
- OTHER PATTERN SETTINGS CAN BE ACHIEVED BY ROTATING DEFLECTORS

ALL METRIC DIMENSIONS () ARE SOFT CONVERTED. IMPERIAL DIMENSIONS ARE CONVERTED TO METRIC AND ROUNDED TO THE NEAREST MILLIMETER.

PROJECT:

ENGINEER:

CUSTOMER:

SUBMITTAL DATE:

SPEC. SYMBOL:

PRICE®

Handwritten mark

PDF, APDF
PERFORATED DIFFUSER
WITH FACE DEFLECTORS

218787

JAN 2003