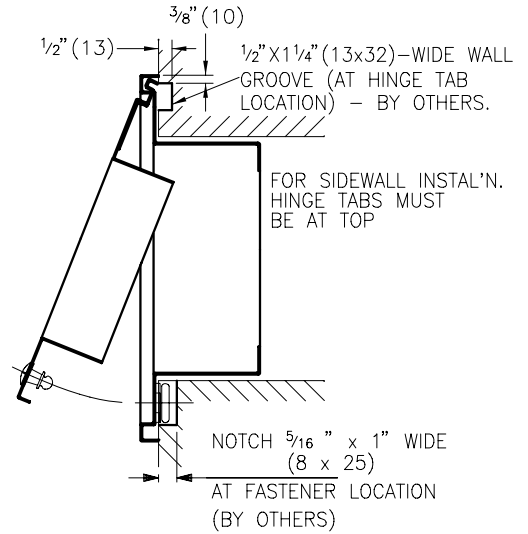


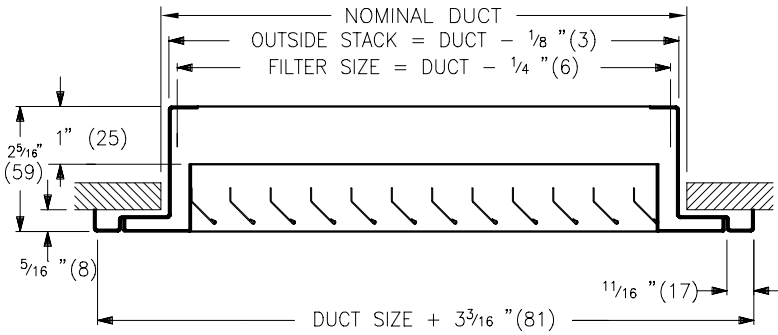
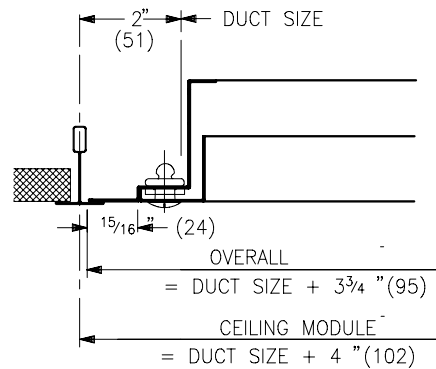
530FF, 535FF STEEL FILTER GRILLES

MOUNTING/FASTENING:

SM SURFACE MOUNT



TB TEE BAR



MATERIAL:

STEEL CONSTRUCTION

FINISHES:

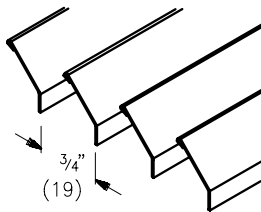
- B12 WHITE
- (OPTIONAL FINISHES AVAILABLE)

NOTES:

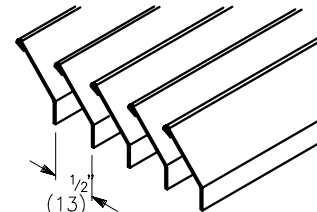
- MOUNTING HOLES IN FILTER FRAME BY INSTALLER.
- QUARTER TURN FASTENER (Q)/HINGE TAB LOCATION PER FACTORY STANDARD.
- THE FILTER FRAME IS DESIGNED TO TAKE A 1" (25) THICK FILTER. FILTERS ARE SUPPLIED BY OTHERS.
- MIN. SIZE - 8" x 4" (203 X 102)
- MAX. SIZE - 36" x 36" (914 X 914)
- BLADE ORIENTATION-
 - L = PARALLEL TO LONG DIMENSION
 - S = PARALLEL TO SHORT DIMENSION

CORE STYLES:

- 530/L**
- 530/S**



- 535/L**
- 535/S**



ALL METRIC DIMENSIONS () ARE SOFT CONVERTED. IMPERIAL DIMENSIONS ARE CONVERTED TO METRIC AND ROUNDED TO THE NEAREST MILLIMETER.

PROJECT:		PRICE [®]	
ENGINEER:		<i>KL</i>	530FF, 535FF STEEL FILTER GRILLES
CUSTOMER:		219694	
SUBMITTAL DATE:	SPEC. SYMBOL:	MAY 97	